

Parts and Accessories INFORMATION Bulletin

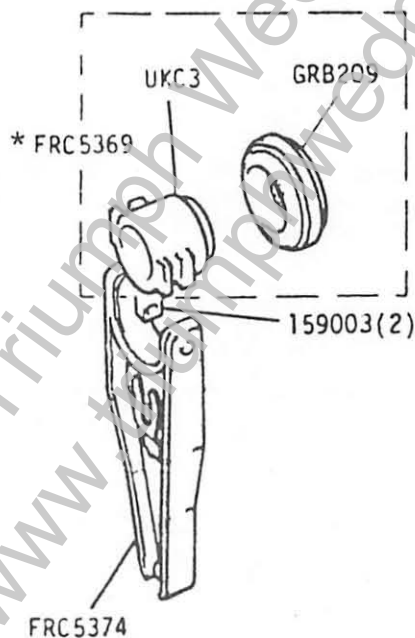
82-IB-85
December 1982

SUBJECT: CLUTCH OPERATION

MODEL: TR7

The sleeve for the release bearing is still available under part number UKC 3. A revised sleeve, with the bearing already fitted, is also available under part number FRC 5369 at a much higher price.

If FRC 5369 is ordered it will be necessary to also order an FRC 5374 lever as the revised sleeve will not fit OE levers.



*When ordering FRC 5369 you must also fit FRC 5374.

Parts Sales & Marketing Department
DW/pt

